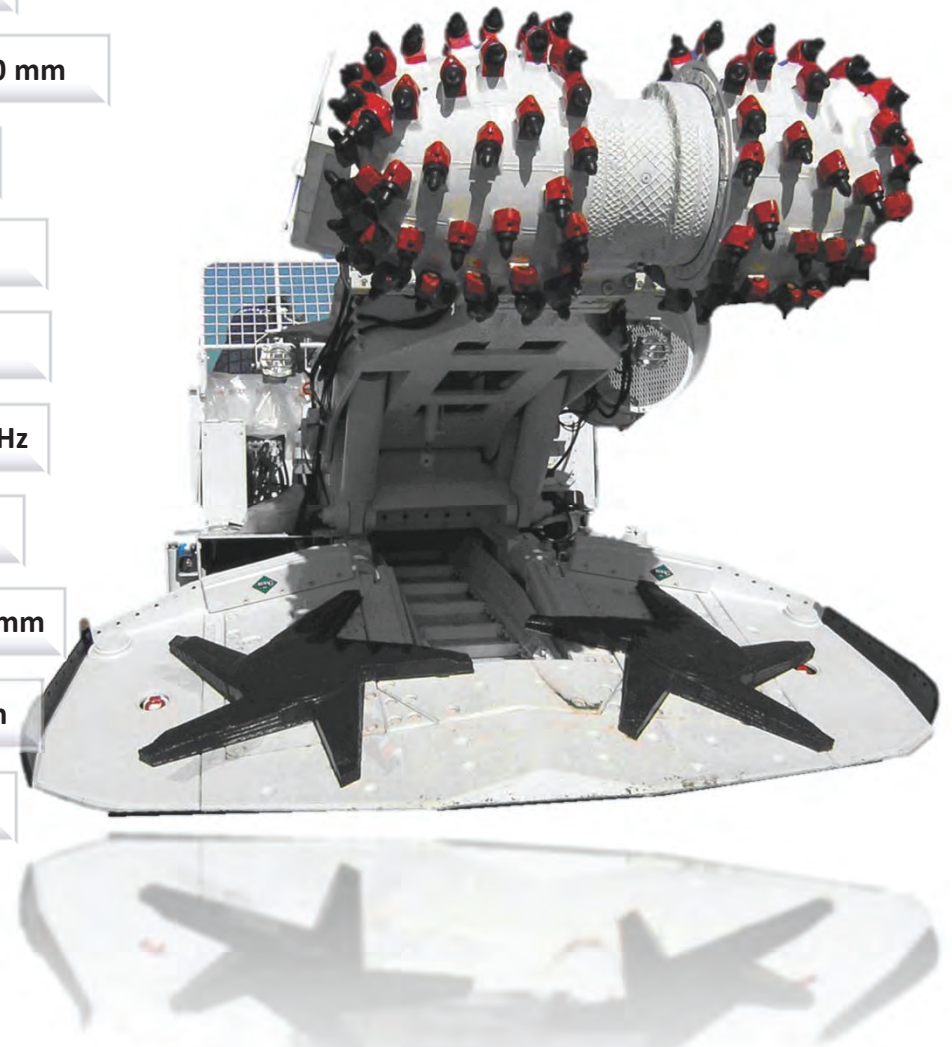
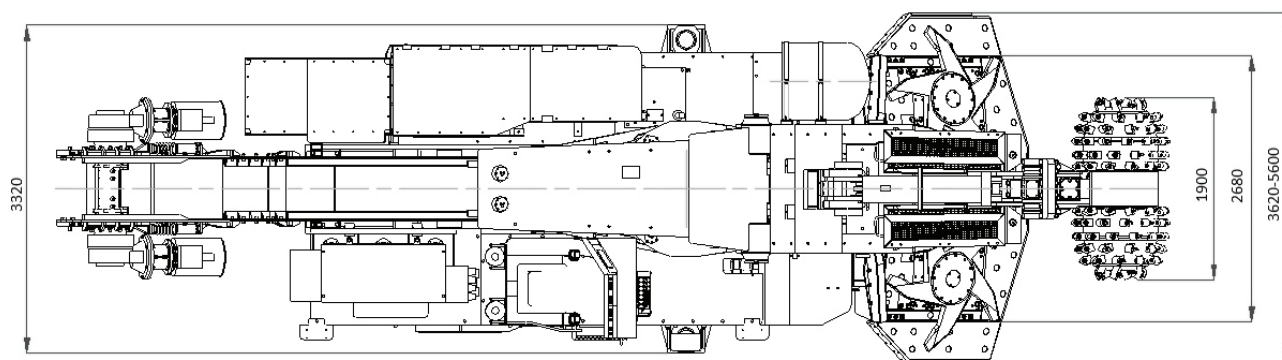
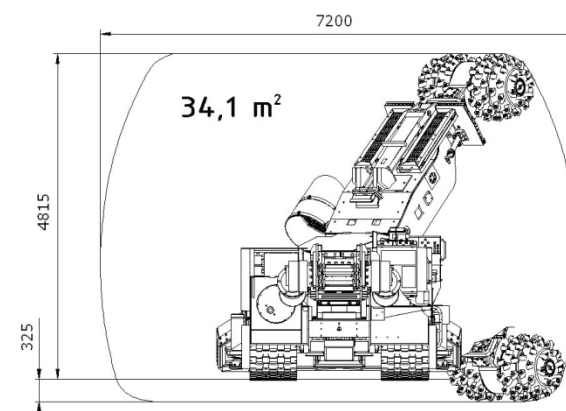
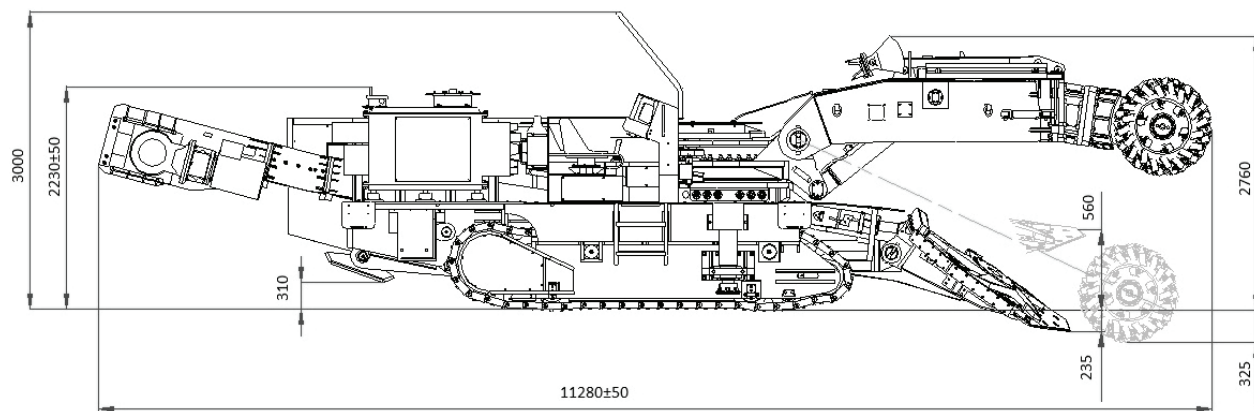


R-2000	Rock hardness:	110 MPa
	Width of the loader:	2680-5600 mm
	Roadheader weight:	60 t
	Maximal installed power:	380 kW
	Power of cutting unit engine:	200 kW
	Voltage/frequency:	1000V/50Hz
	Unit pressure onto floor:	0,14 MPa
	Max immersion of cutting heads into floor:	325±50 mm
	Driving speed:	0-5 m/min
	Pressure in hydraulic system:	20 MPa
	Max transverse slope of the excavation:	±5°
	Max longitudinal slope of the excavation:	±18°



# R-2000



Parameter	R-2000
Excavation cross-section	34,1 m <sup>2</sup>
Cutting width	7200 mm
Cutting height	4815 mm