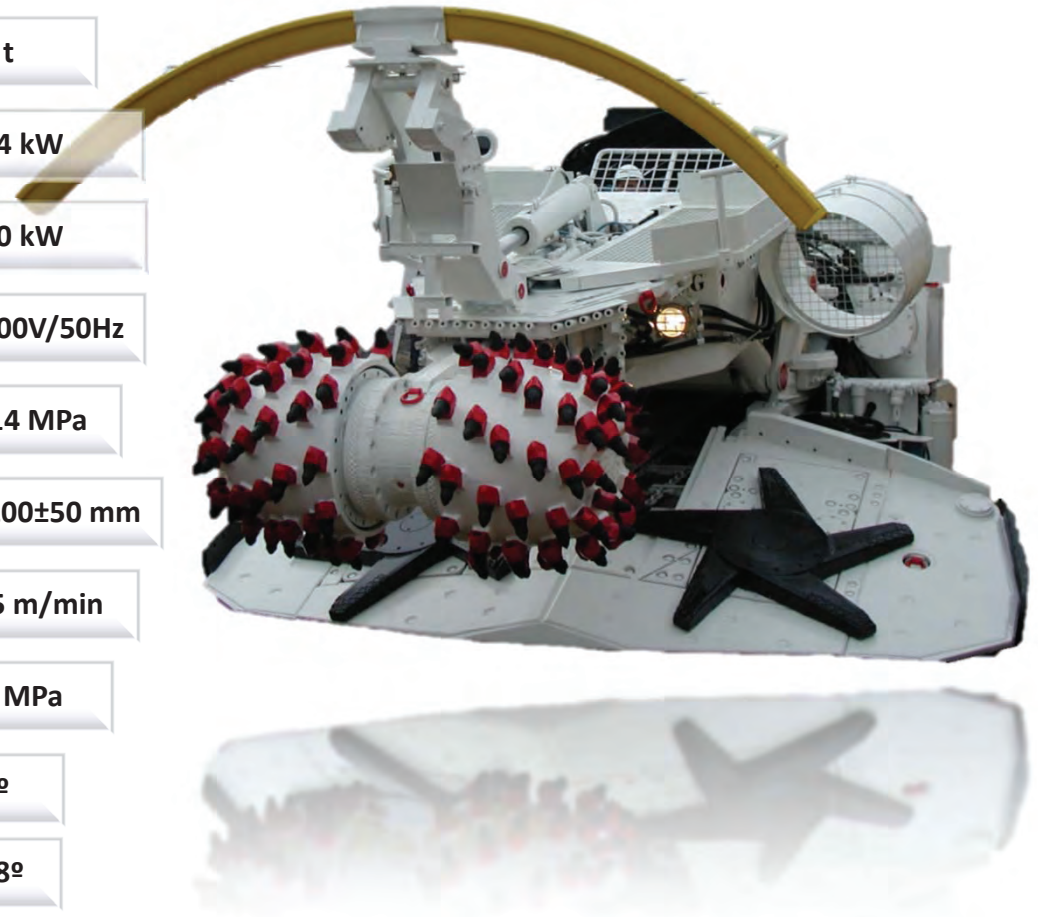
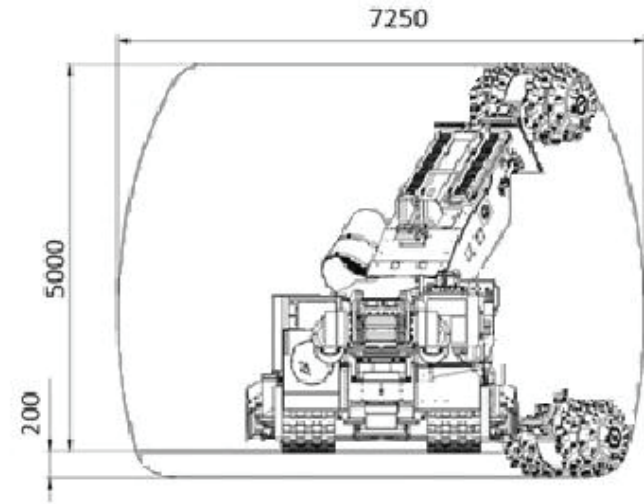
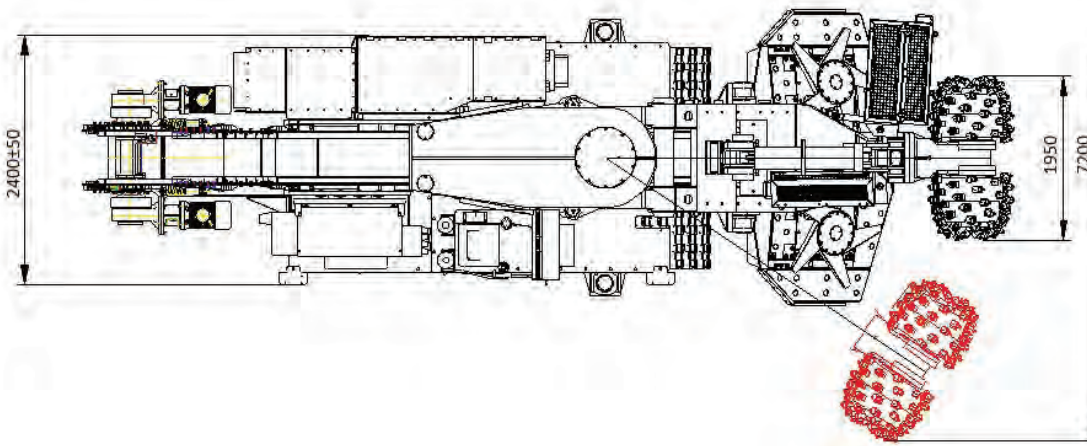
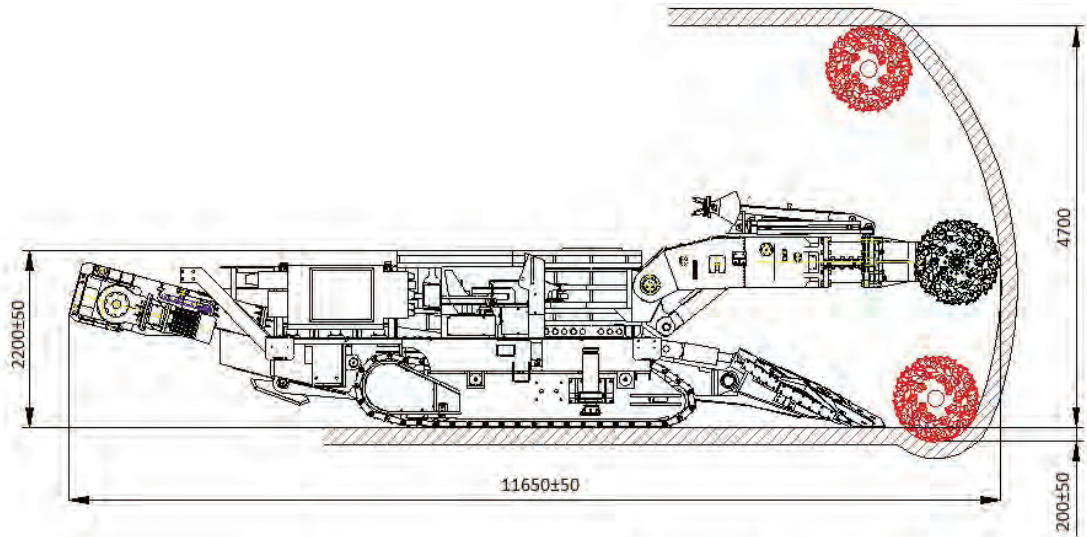


KR-150z

Rock hardness:	110 MPa
Width of the loader:	2680-5000 mm
Roadheader weight:	48 t
Maximal installed power:	314 kW
Power of cutting unit engine:	150 kW
Voltage/frequency:	1000V/50Hz
Unit pressure onto floor:	0,14 MPa
Max immersion of cutting heads into floor:	200±50 mm
Driving speed:	0-5 m/min
Pressure in hydraulic system:	20 MPa
Max transverse slope of the excavation:	±5°
Max longitudinal slope of the excavation:	±18°



# KR-150z



Parameter	KR-150z
Excavation cross-section	34 m <sup>2</sup>
Cutting width	7250 mm
Cutting height	5000 mm