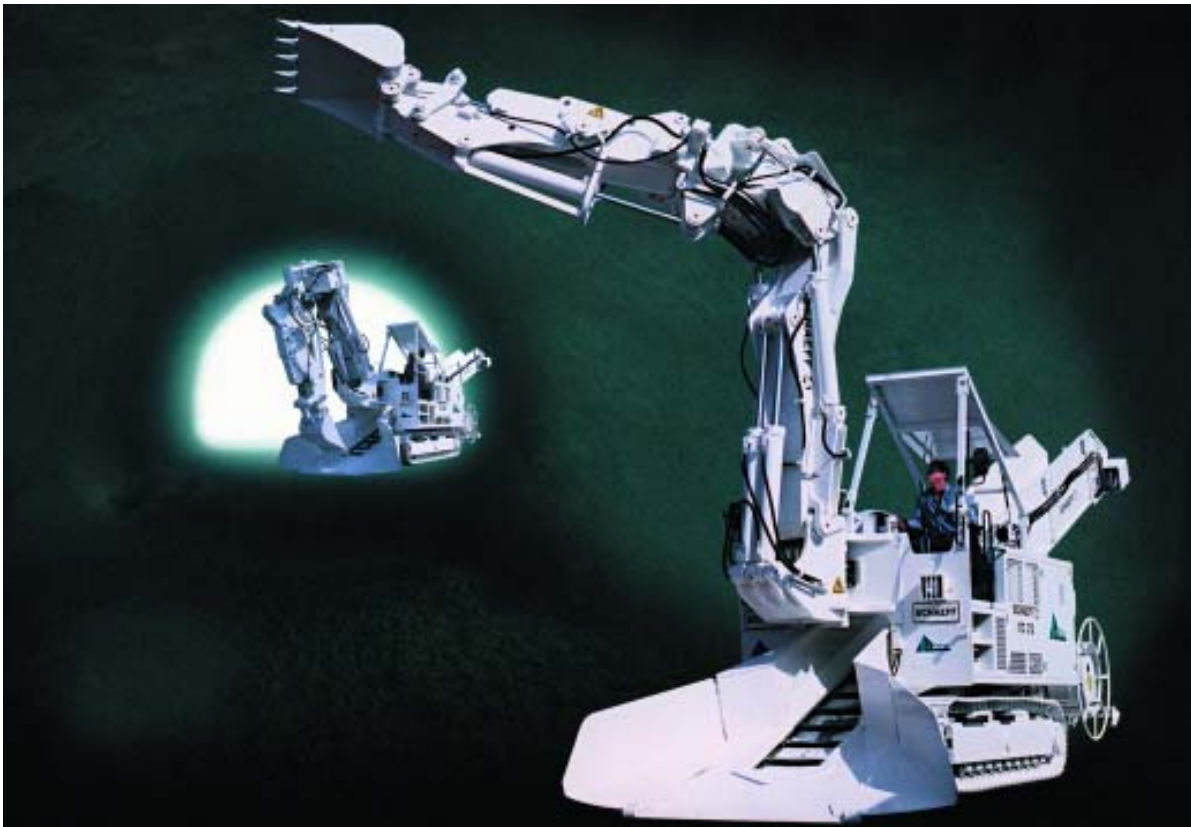


## TUNNEL HEADING AND LOADING MACHINE

# ITC 312 - N1

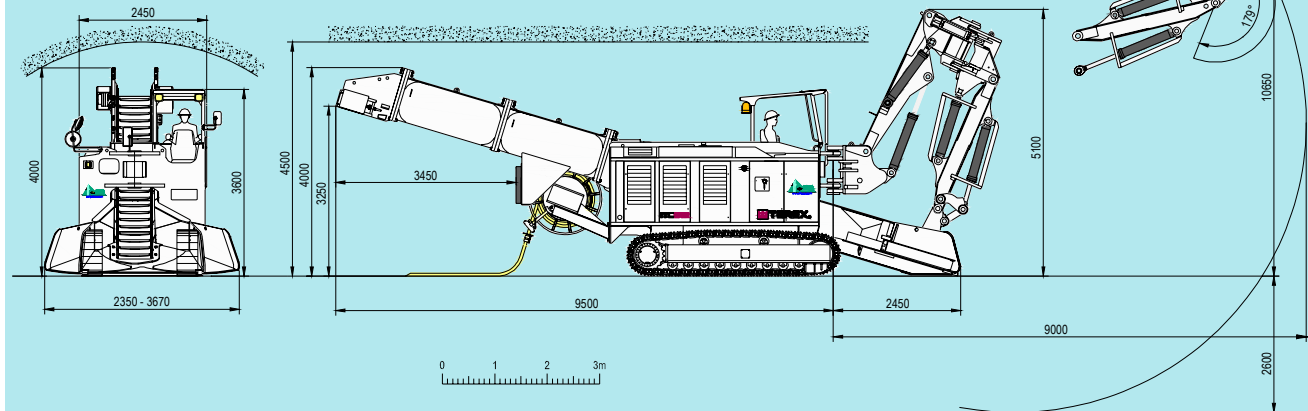


- Long excavation boom with swivel dipper stick for heading in soft ground
- Minimal cross section            approx. 25 m<sup>2</sup>
- Diesel drive                            165 kW
- Electric drive                         90 kW
- Operating weight                    approx. 37,2 t

Made in Germany by



# ITC 312 N1



## Technical data ITC 312 – N1

### Drive units

Electro-hydraulic and Diesel hydraulic power packs each with a separate pump unit with variable flow rate  
 Electric drive for emission-free work at the face  
 Air-cooled electric motor, power at 400 Volt , 50 Hz 90 kW  
 Diesel drive for travelling and operation without electric supply.  
 Water-cooled diesel engine. Deutz TCD2013 L06 2V  
 Power rating at 2'000 r.p.m 165 kW  
 Diesel engine complies with emission standard EEC Euro 3

### Electrical system

Total installed power 90 kW  
 Voltage (standard) 400 V - 50 Hz AC  
 Control voltage 230 V - 24 V DC  
 Electrical system acc. to EN 60529 (IP54)  
 Cable reel hydraulically driven with 90 m cable 3x95+3x16 mm<sup>2</sup>

### Operator's cab

Operator's cab gives all-round visibility.  
 CE conformity incl. video monitoring system for the right and rear side with colour LCD in the cab.

### Hydraulic system

Load Sense hydraulic system with combination axial piston pump and gear pump  
 Hydr. pilot control for travelling and main working functions  
 Boom control with 2 joysticks in Euro standards  
 Thermostatic controlled hydr. driven oil/air cooler  
 Max. hydraulic operating pressure 250-350 bar  
 Hydraulic oil tank 400 l

### Operating data (N1 boom equipment)

Minimal cross section approx. 25 m<sup>2</sup>  
 Machine width 2'400 mm  
 Maximal height 3'600 mm  
 Transport height 2'700 mm  
 Length (dep. on conveyor) ~12'000 mm  
 Width of loading apron (adjust.) 2'350-3'700 mm  
 Width of conveyor (internal) 800 mm  
 Height of conveyor (internal) 800 mm  
 Conveyor capacity approx. 300 m<sup>3</sup>/h  
 Conveyor discharge height 2'500-3'500 mm  
 Operating weight approx. 37,2 t

### Boom Equipment N1

Long boom equipment for excavation and loading of soft ground or blasted material, includes:

- King post with jib, tilt-swivel console and dipper stick
- Excavation and mucking bucket, width 350 -900 mm
- Hydraulic circuit for a hydraulic rock breaker
- Loading capacity acc. to rock conditions approx. 3 m<sup>3</sup>/min

### Other Equipment

It is possible to attach a range of ancillary equipment, such as pony truck, rubber plated conveyor, transverse cutting unit, soot particle filter, central lubrication device, etc.

Further details of attachments and accessories available upon request.  
 Subject to modification without prior notice.