

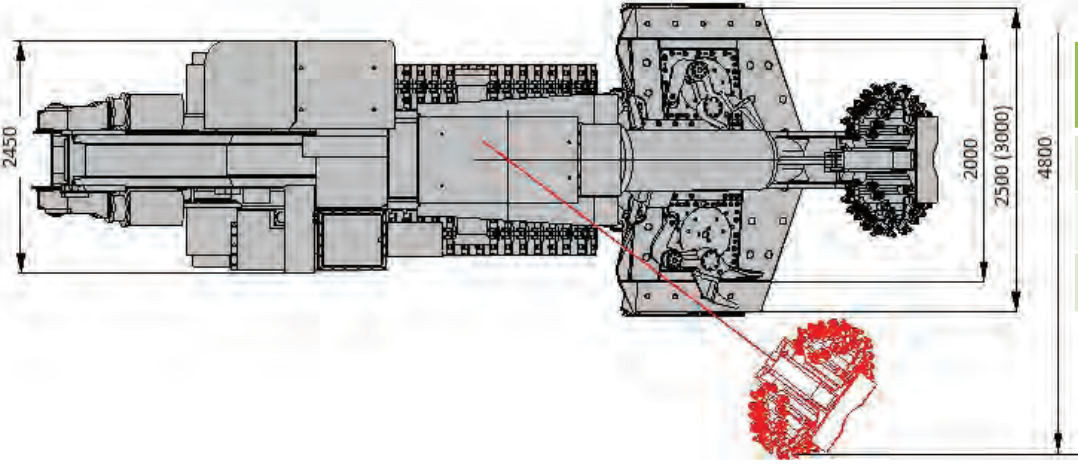
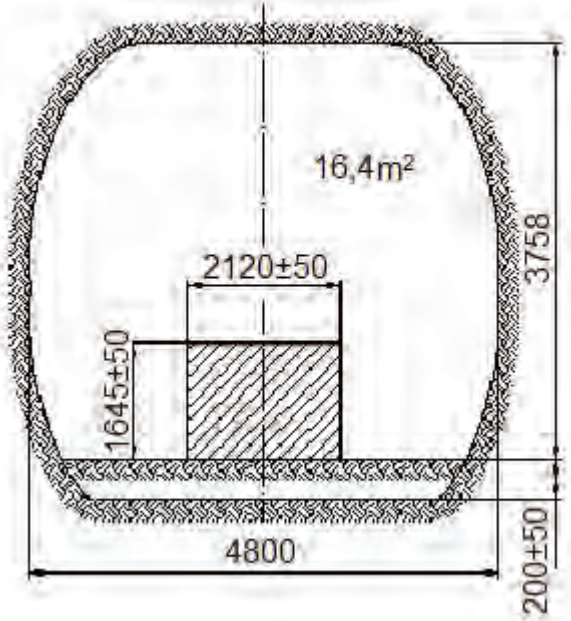
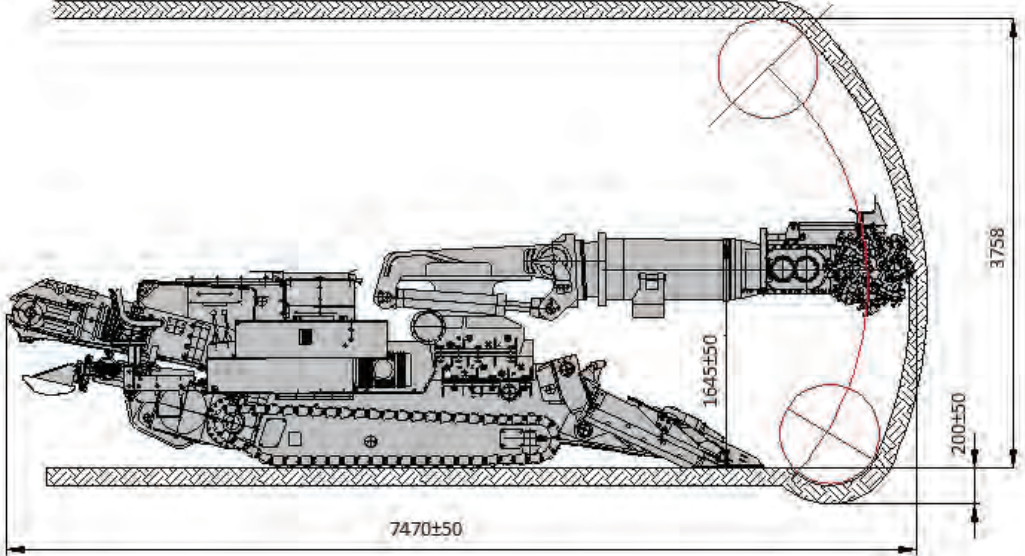
AM-50z-w low version

AM-50z-w low version

Rock hardness:	60 MPa
Width of the loader:	2000-3000 mm
Roadheader weight:	28,4 t
Maximal installed power:	169 kW, 201 kW
Power of cutting unit engine:	100 kW, 132 kW
Voltage/frequency:	500V, 660V, 1000V/50Hz
Unit pressure onto floor:	0,11 MPa
Max immersion of cutting heads into floor:	200±50 mm
Driving speed:	0-5 m/min
Pressure in hydraulic system:	20 MPa
Max transverse slope of the excavation:	±5°
Max longitudinal slope of the excavation:	±18°



AM-50z-w low version



Parameter	AM-50z-w „low”
Excavation cross-section	16,4 m ²
Cutting width	4800 mm
Cutting height	3758 mm